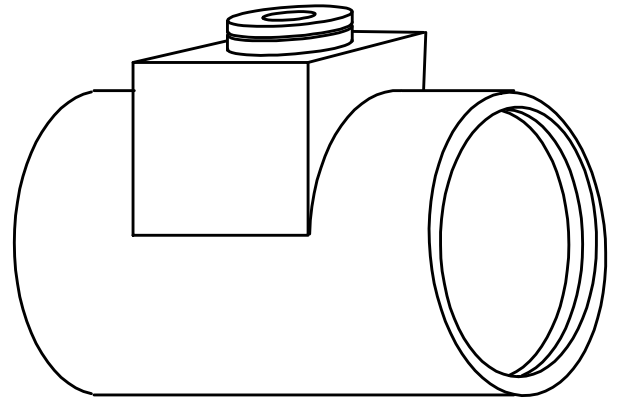
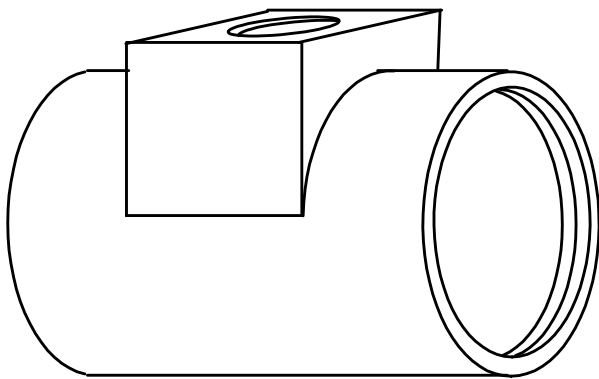


PRECAST MANHOLE TEE BASES

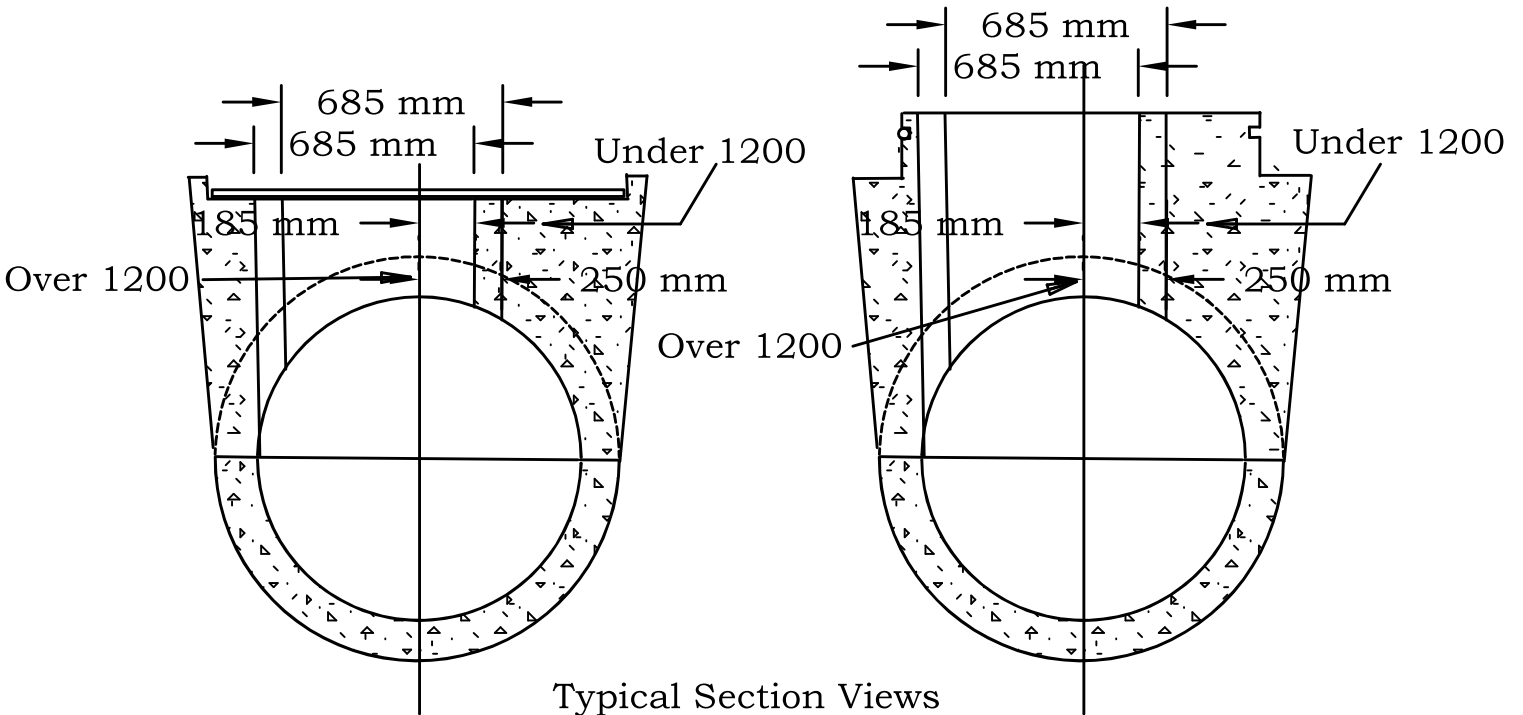
VJRICE
CONCRETE
LIMITED

Phone:(902)665-4444
Fax: (902)665-4017
P.O Box 399, Bridgetown
Nova Scotia, B0S 1C0
www.riceconcrete.ca

750mm, 900mm, 1050mm, 1200mm
and 1500mm Diameter.



Isometric Views
Designed to Accomodate Standard
1050 mm Dia. Manhole Shafting



Typical Section Views

NOMINAL SIZE (SOFT METRIC CONVERSION)

RC-10