

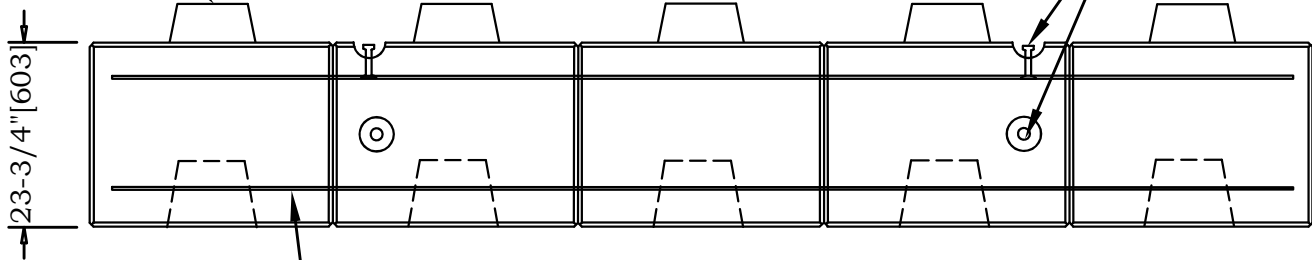
Abutment Block

Retaining Wall System

Cap sections can be manufactured without interlocking tab.

STARCON Lifting Anchors

SIDE VIEW



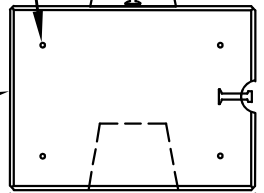
NOTES:

- Weight: AB40 (4,265 kgs)
- Min 15m Rebar Reinforcing

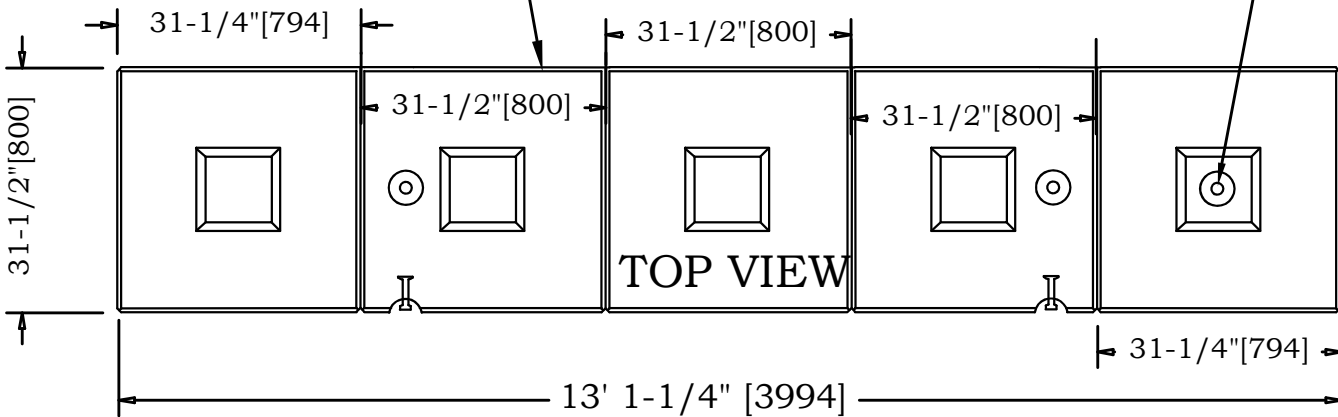
Steel Trowel Finish

4-15m Rebar

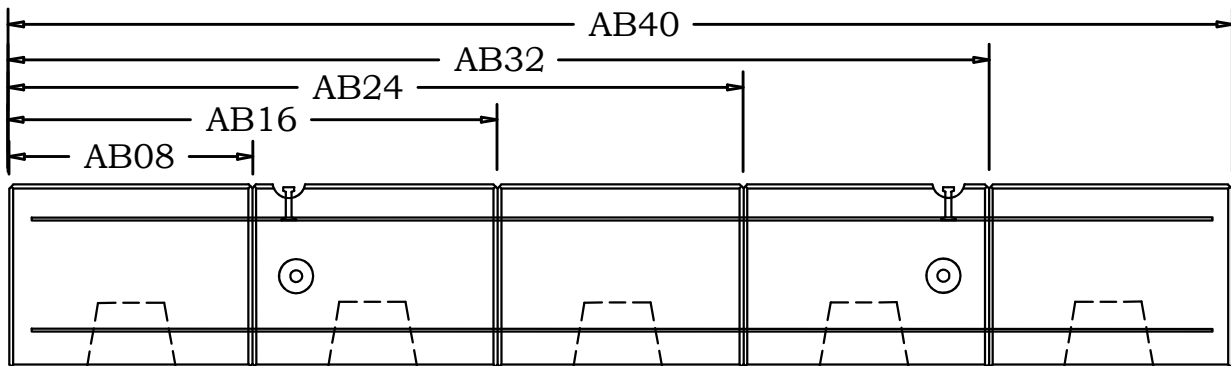
Optional position to be adjusted based on product length.



END VIEW



TOP VIEW



CAP UNIT