

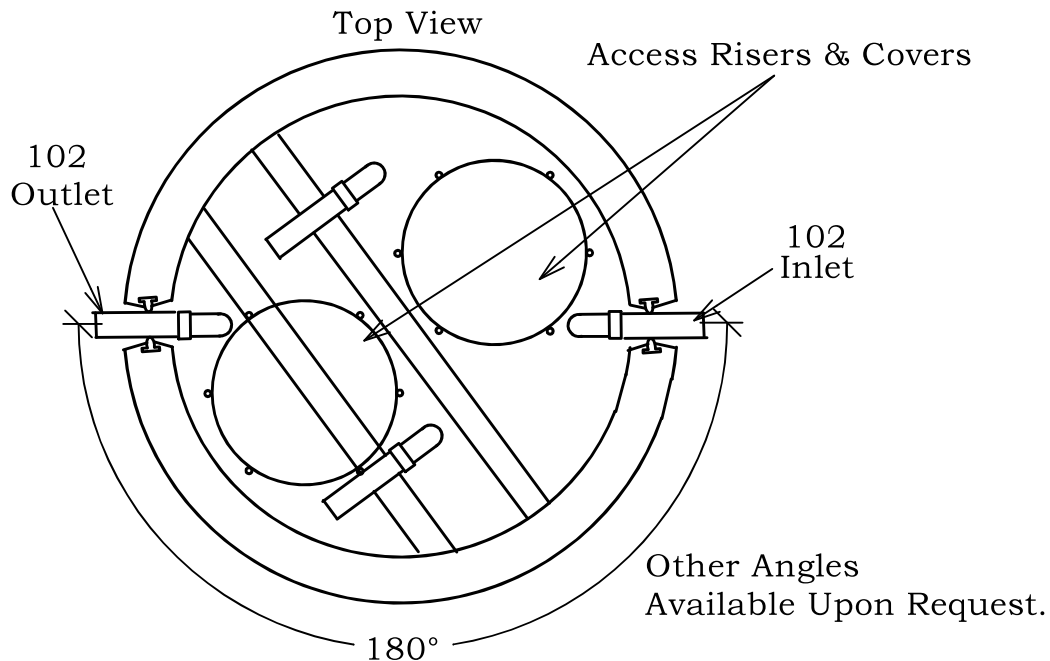
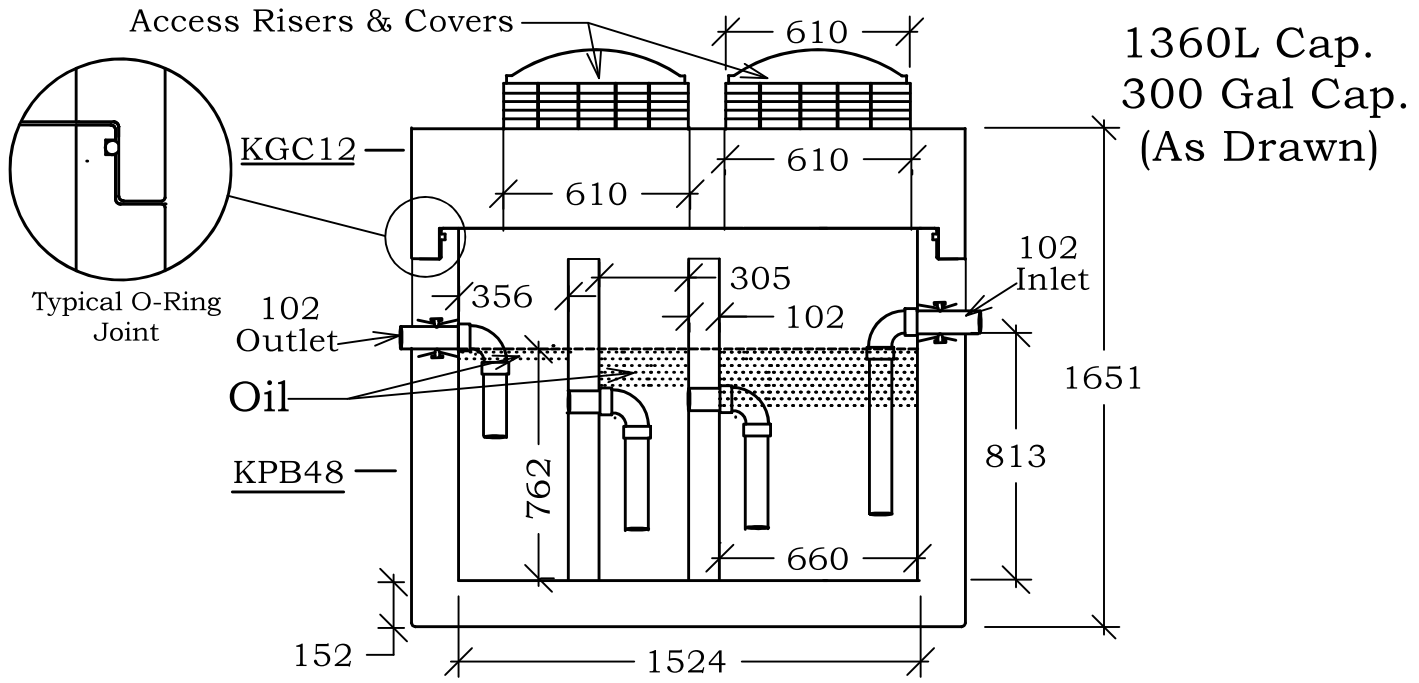
Oil Interceptor

CATALOG# SEP-OILINT

VJRICE
CONCRETE
LIMITED

Phone: (902)665-4444
 Fax: (902)665-4017
 P.O. Box 399, Bridgetown
 Nova Scotia, B0S 1C0
 www.riceconcrete.ca

TUF-TITE Risers and Securable Access Covers.



Maintain unit as per NS Environment Section 03 Technical Guidelines

Regular inspection is important to ensure the drainage system is working properly. When the unit is first commissioned, it is recommended that the levels of solids and oil or grease be checked at weekly intervals for food applications to determine how much material is accumulating. Oil separators in garages should be checked monthly to start. These observations will help establish the best maintenance interval based on site specific conditions.

SEP-11