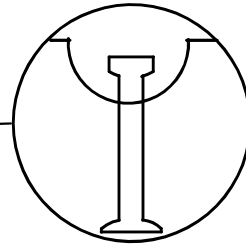
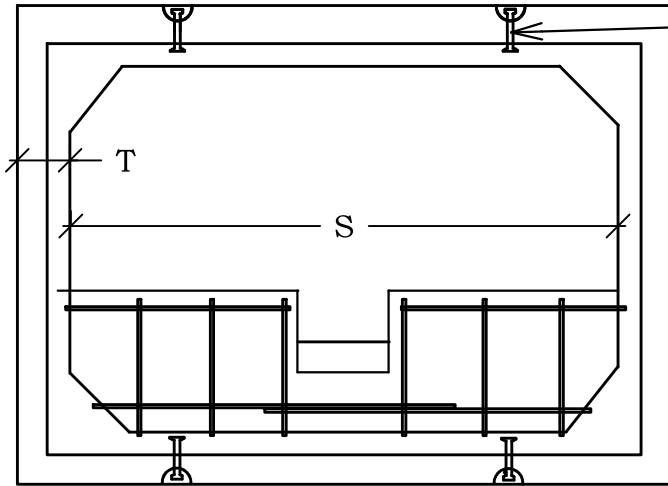


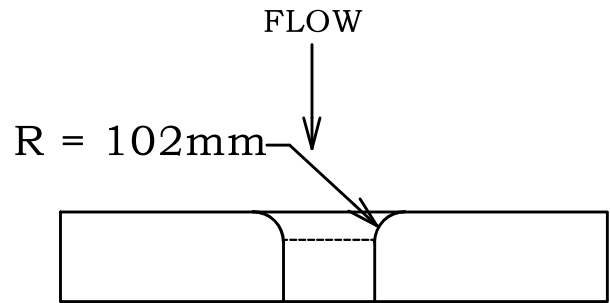
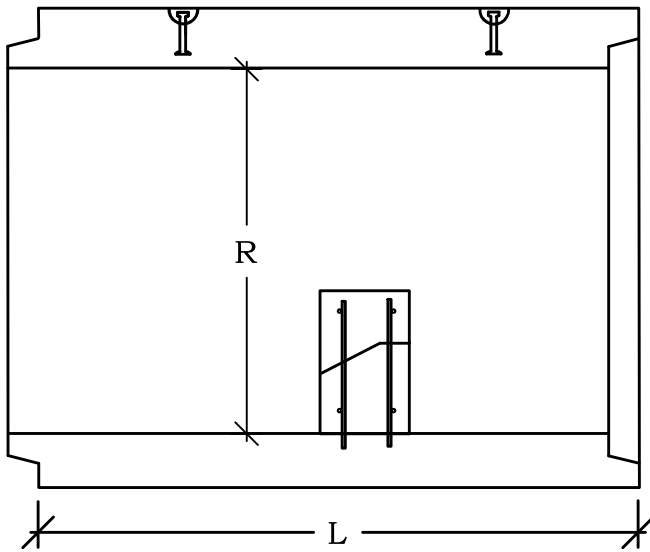
PRECAST CONCRETE BOX CULVERTS

VJRICE
CONCRETE
LIMITED

Phone: (902)665-4444
Fax: (902)665-4017
P.O. Box 399, Bridgetown
Nova Scotia, B0S 1C0



ALP Lifting Pin



Optional Fish Baffle

Notes:

- Fish Baffles, Cut-Off Walls, Curbs, Wing Walls Or Any Other Additional Sections Are Available Upon Request.
- Other Box Culvert Sizes Available Upon Request.

NOMINAL SIZE (SOFT METRIC CONVERSION)

SPAN m m	RISE m m	W ALL T H I C K N E S S m m	L A I D L E N G T H m	W E I G H T k g s / m e t e r
S	R	T	L	
1 8 0 0 (6 ')	1 2 0 0 (4 ')	1 7 8	2	3 0 6 5
1 2 0 0 (4 ')	1 8 0 0 (6 ')	1 7 8	2	3 0 6 5
1 8 0 0 (6 ')	2 4 0 0 (8 ')	2 0 3	1 . 7 3	4 7 2 0
2 4 0 0 (8 ')	1 8 0 0 (6 ')	2 0 3	1 . 7 3	4 7 2 0

Concrete Box Culverts are Manufactured to ASTM Standards

C-1433 For "Fill Heights" Greater Than 0.6M

C-1433 For A "Fill Height" Less Than 0.6M

RC-11