

Grease Trap

CAT# SEP-GREASE

VJRICE
CONCRETE
LIMITED

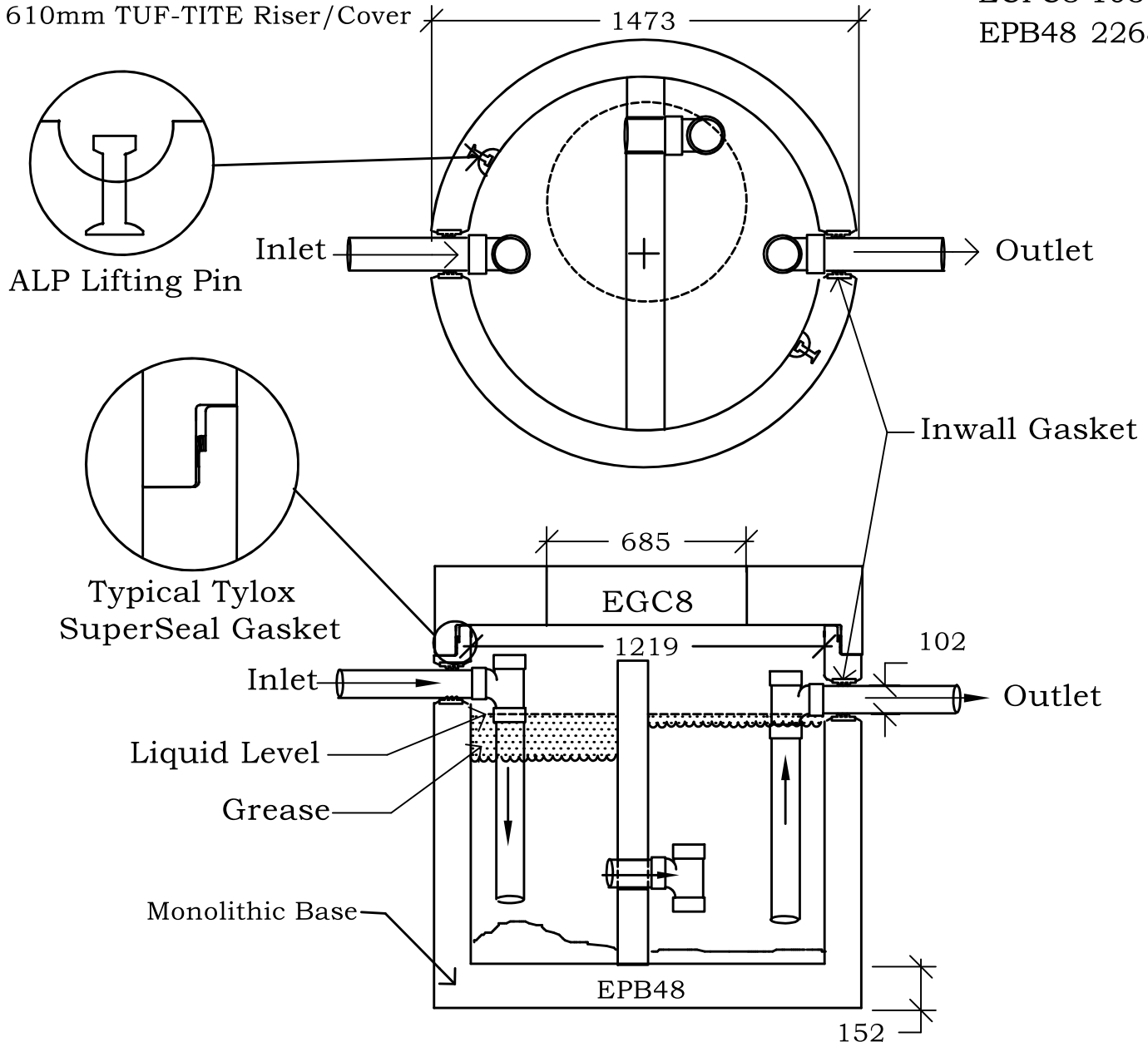
Phone:(902)665-4444
 Fax: (902)665-4017
 P.O Box 399, Bridgetown
 Nova Scotia, B0S 1C0
 www.riceconcrete.ca

Optional covers available:

- 610x610mm sq.
- 685mm round
- 610mm TUF-TITE Riser/Cover

900 Ltr Cap.

ECPC8 1030 kgs
 EPB48 2268 kgs



Maintain unit as per NS Environment Section 03 Technical Guidelines

Regular inspection is important to ensure the drainage system is working properly. When the unit is first commissioned, it is recommended that the levels of solids and oil or grease be checked at weekly intervals for food applications to determine how much material is accumulating. Oil separators in garages should be checked monthly to start. These observations will help establish the best maintenance interval based on site specific conditions.

SEP-12