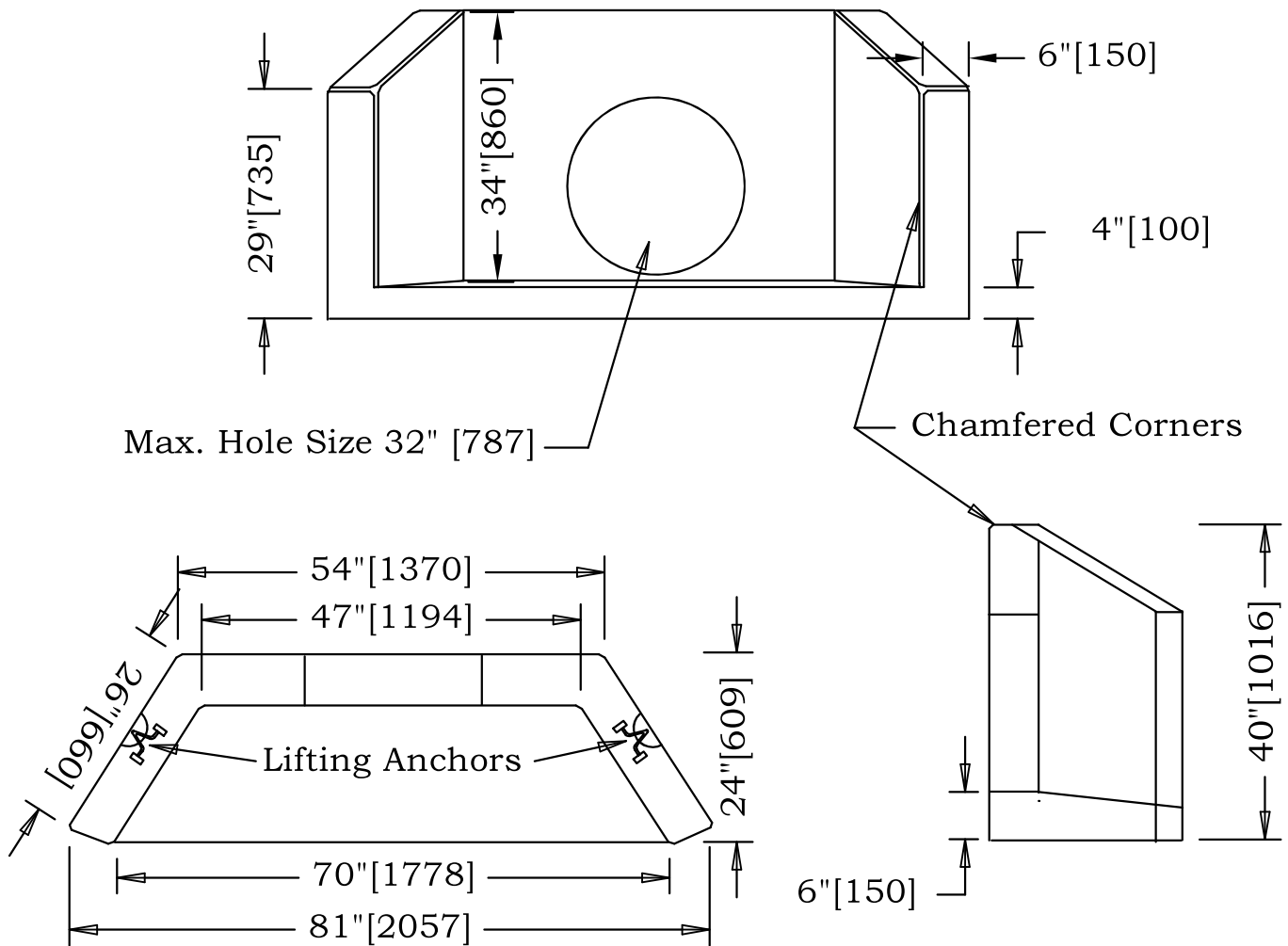


Driveway Culvert Headwall



Phone: (902)665-4444
 Fax: (902)665-4017
 P.O. Box 399, Bridgetown
 Nova Scotia, B0S 1C0
 www.riceconcrete.ca

This product is designed to enhance your driveway, giving you an attractive, durable and stable system. Our unique lifting anchors allow for easy installation. Designed to be used for either existing or new driveways. Many different hole sizes in stock.



NOTE: Driveway headwalls should be installed so that the top of the headwall is flush with the driveway surface. Special hole location and size can be made to order. For further installation instructions, contact your local Department of Transportation and Public Works representative.