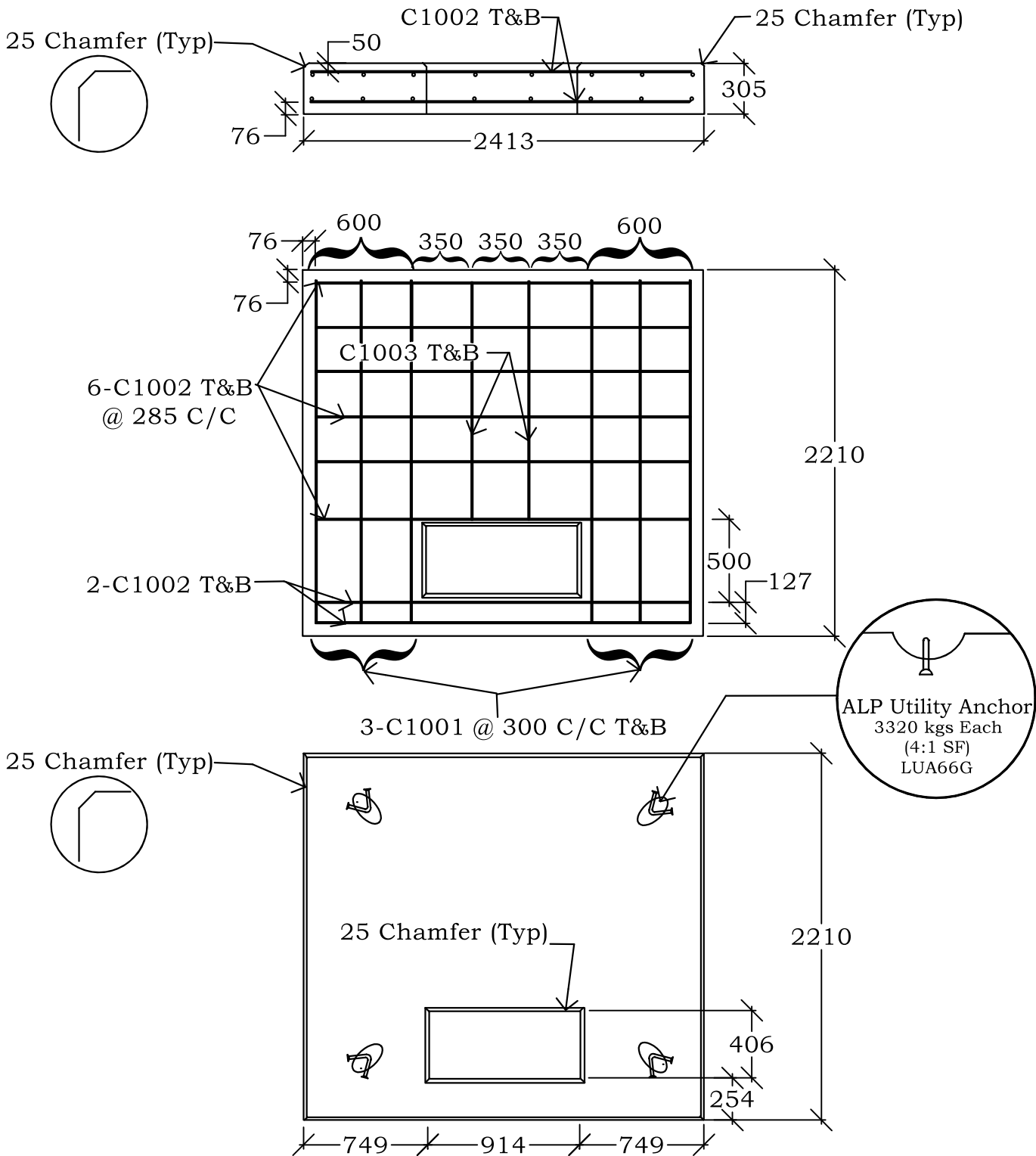


Transformer Pad 150kVA - 500kVA

Catalog# TRANS-2421



Phone: (902)665-4444
 Fax: (902)665-4017
 P.O. Box 399, Bridgetown
 Nova Scotia, B0S 1C0
 www.riceconcrete.ca



REBAR SCHEDULE

- C1001 - #10m x 2058 LG - (12 Required)
- C1002 - #10m x 2261 LG - (16 Required)
- C1003 - #10m x 1432 LG - (4 Required)

Section Weight:
 Slab - 3640 kgs

Pad size as per NSP 6U-ED-20M DWG
 All reinforcing as per NSP 6U-ED-21M DWG