

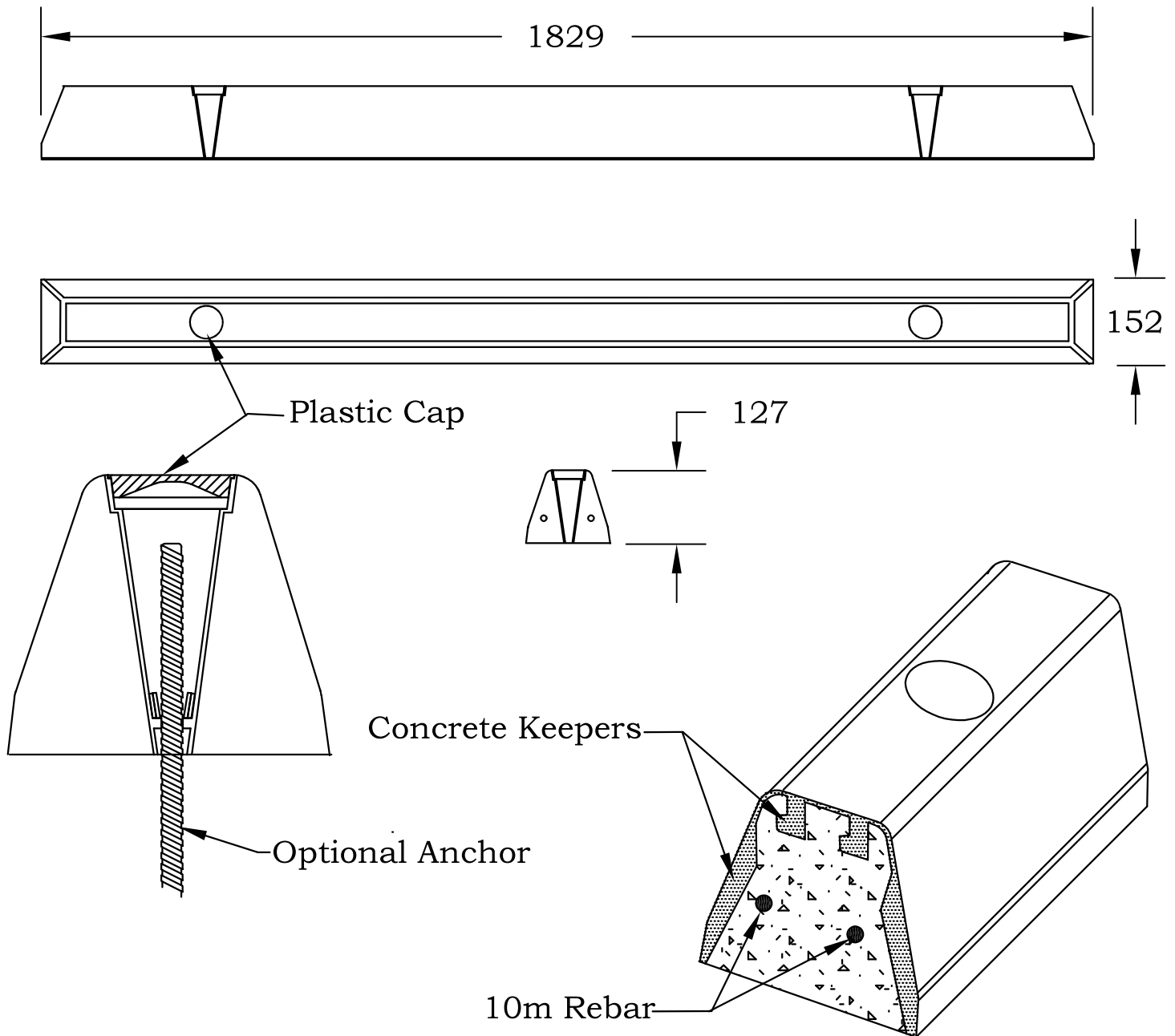
Parking Bumper

VJ RICE
CONCRETE
LIMITED

Phone: (902)665-4444
Fax: (902)665-4017
P.O. Box 399, Bridgetown
Nova Scotia, B0S 1C0

Cat# CURB-TT-B,G,Y

TUF-STOP



NOTES:

- Colors: Safety Yellow, Handicap Blue, Short Term Parking Green
- Material: UV Stabilized, High-Impact Polymer Filled With Reinforced Concrete.
- Weight: 125 lbs
- Anchor: Hole With Cap For Optional Anchorage (Rebar or Drift Pin)

1a