

SEPTIC TANK

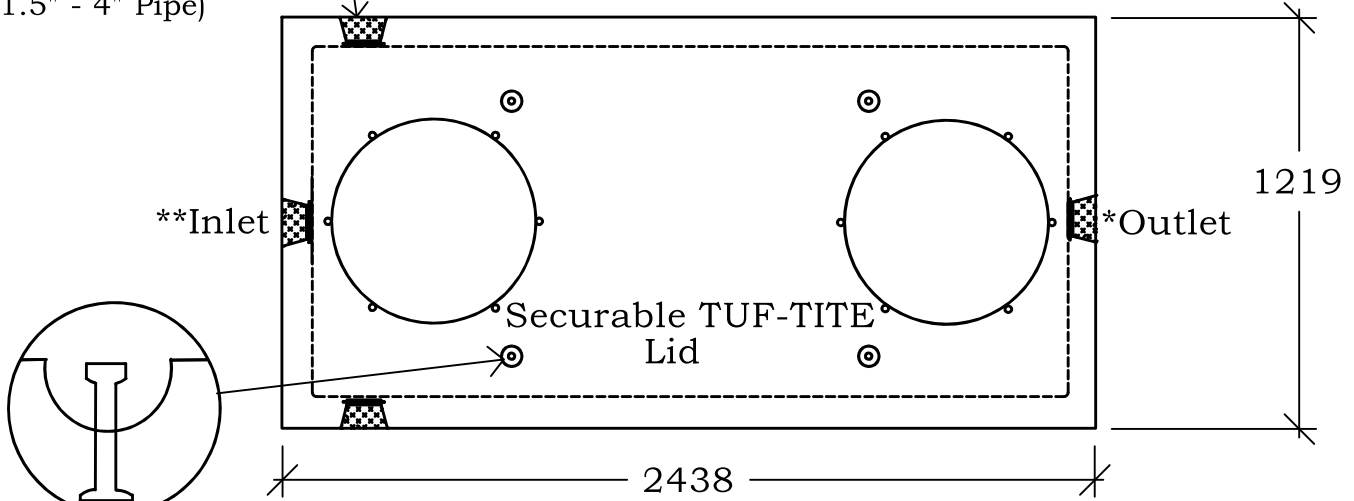
CATALOG# SEP2840/TT

VJRICE
CONCRETE
LIMITED

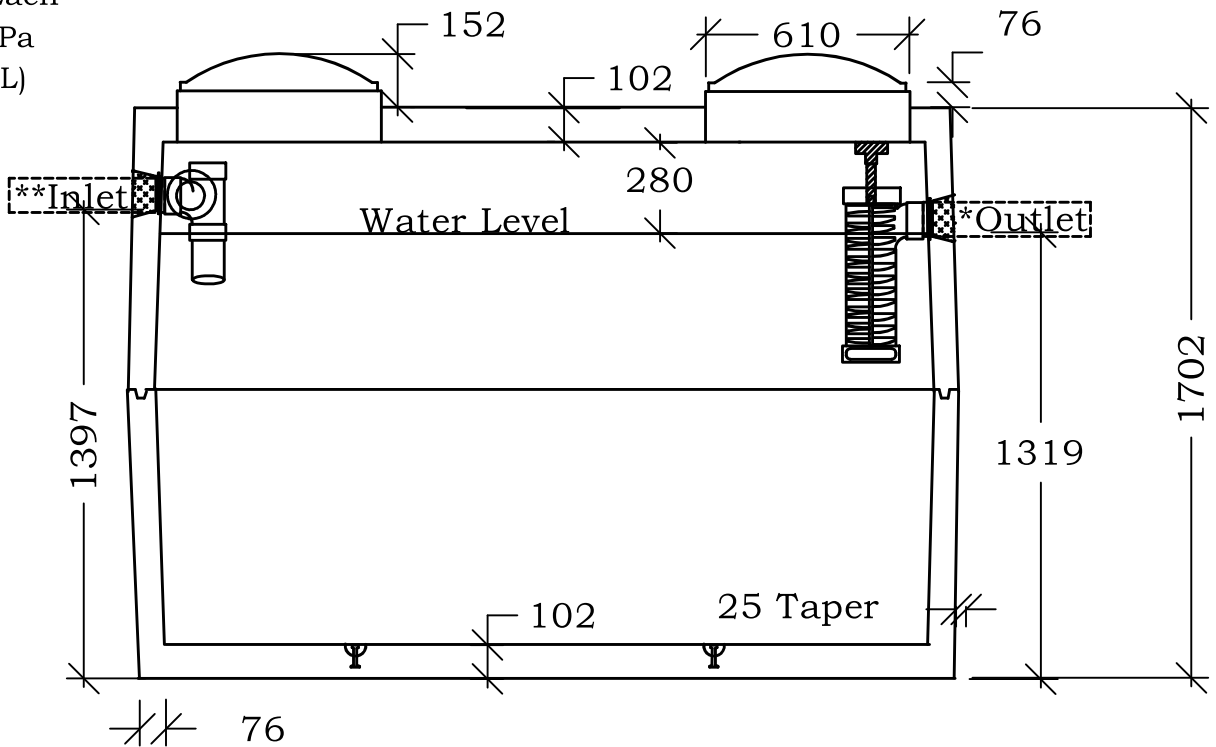
Phone:(902)665-4444
 Fax: (902)665-4017
 P.O Box 399, Bridgetown
 Nova Scotia, B0S 1C0
 www.riceconcrete.ca

CAPACITY: 2840L [625 GAL]
 WEIGHT: 3100 kgs
 ADDITIONAL PARTS:TB-6 FILTER, RISER, COVER, TEE HANDLE

TUFF-TITE
 TS-4Rubber
 (1.5" - 4" Pipe)



ALP Lifting Pin
 67mm Long, 1T
 900 kgs Each
 @ 20 MPa
 (4:1 SWL)



NOTES:

- Tank to be sealed with CONSEAL CS-102 Butyl Sealant.
- * Effluent filter required at outlet end.
- ** Tee required at inlet end.

SEP 2