

SEPTIC TANK

CATALOG#SEP2840-OP/TT

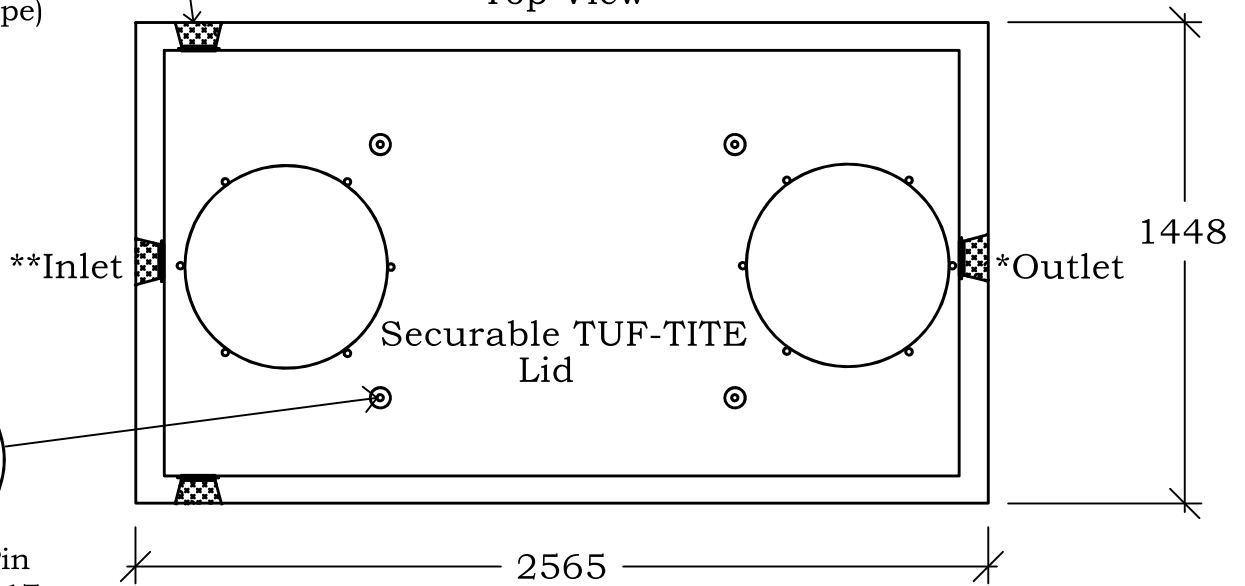
VJRICE
CONCRETE
LIMITED

Phone:(902)665-4444
 Fax: (902)665-4017
 P.O Box 399, Bridgetown
 Nova Scotia, B0S 1C0
 www.riceconcrete.ca

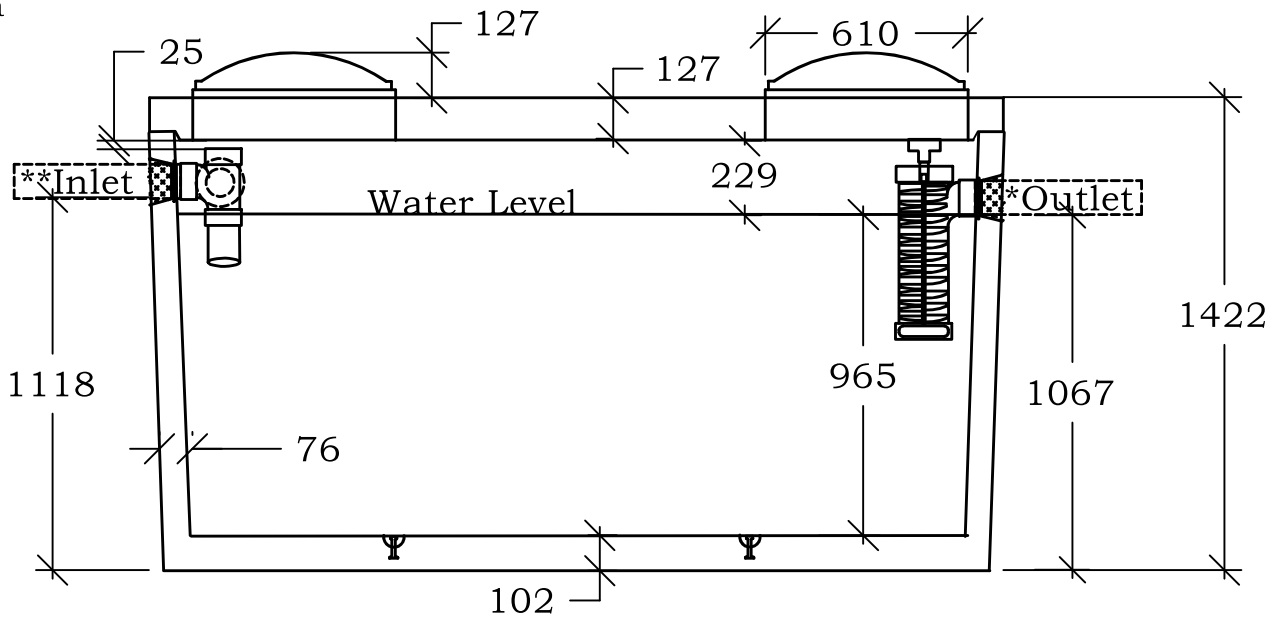
CAPACITY: 2840L [625 GAL] ONE PIECE
 WEIGHT: Bottom-2550 kgs, Top-1100 kgs
 ADDITIONAL PARTS:TB-6 FILTER, RISER, COVER, TEE HANDLE

TUFF-TITE
 TS-4Rubber
 (1.5" - 4" Pipe)

Top View



ALP Lifting Pin
 67mm Long, 1T
 900 kgs Each
 @ 20 MPa
 (4:1 SWL)



NOTES:

- Tank to be sealed with CONSEAL CS-102 Butyl Sealant.
- * Effluent filter required at outlet end.
- ** Tee required at inlet end.

SEP-2a