

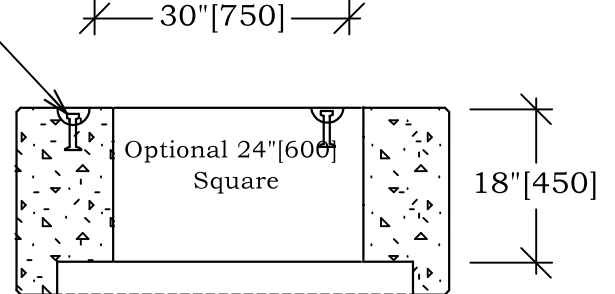
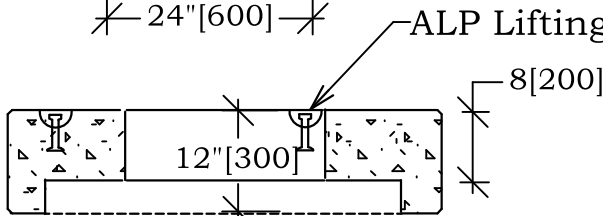
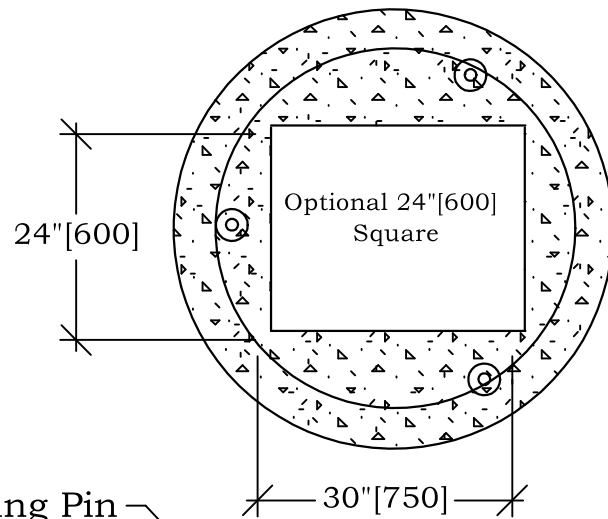
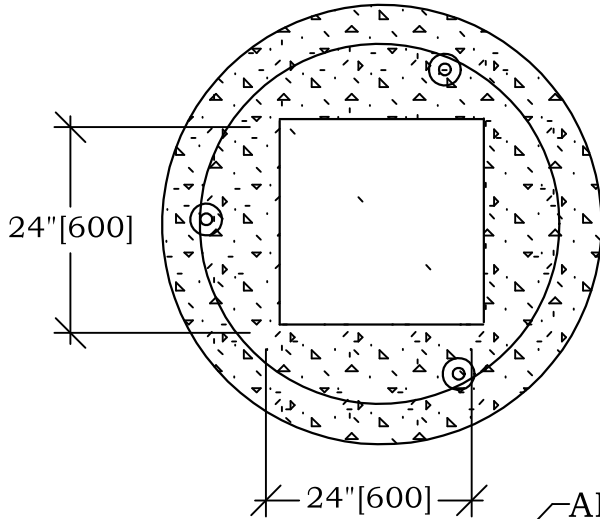
# CATCH PIT COVERS

**VJRICE**  
**CONCRETE**  
**LIMITED**

Phone:(902)665-4444  
 Fax: (902)665-4017  
 P.O Box 399, Bridgetown  
 Nova Scotia, B0S 1C0  
 www.riceconcrete.ca

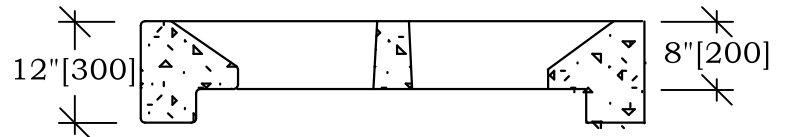
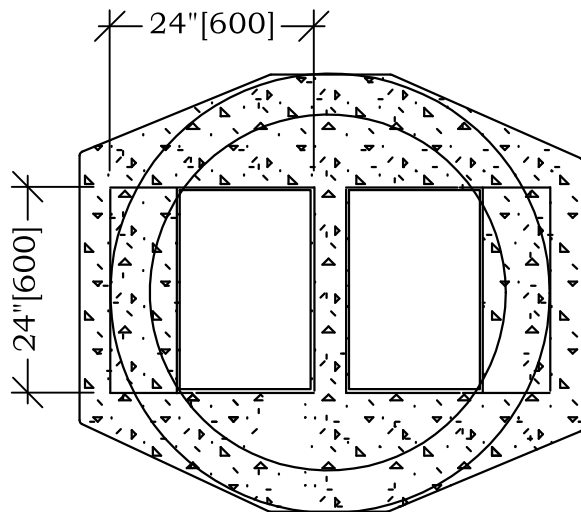
C=1050mm E=1200mm  
**STANDARD**

**HEAVY DUTY**



**CPC8**  
**ECPC8**

**CPC18**



**CPC8D(Shown)**  
**ECPC8D**

CONFORMS TO ASTM C478

CP-3