

# SEPTIC TANK

CATALOG# SEP3635OP/TT

**VJRICE**  
**CONCRETE**  
**LIMITED**

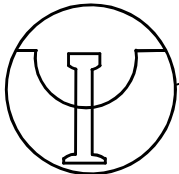
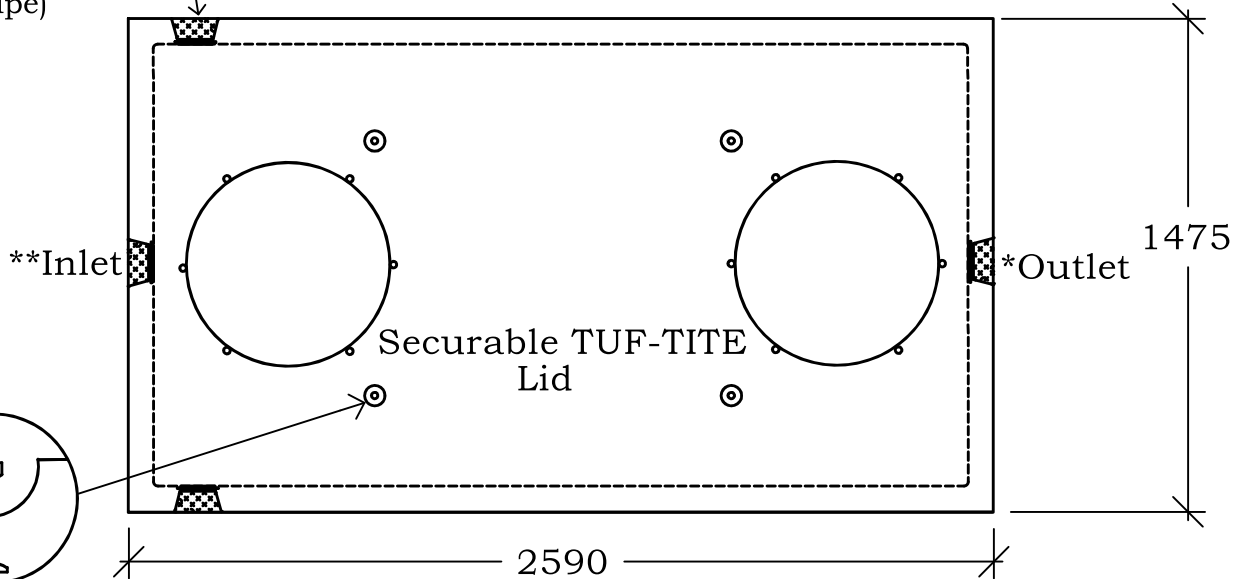
Phone:(902)665-4444  
Fax: (902)665-4017  
P.O Box 399, Bridgetown  
Nova Scotia, B0S 1C0  
www.riceconcrete.ca

CAPACITY: 3635L [800 GAL]

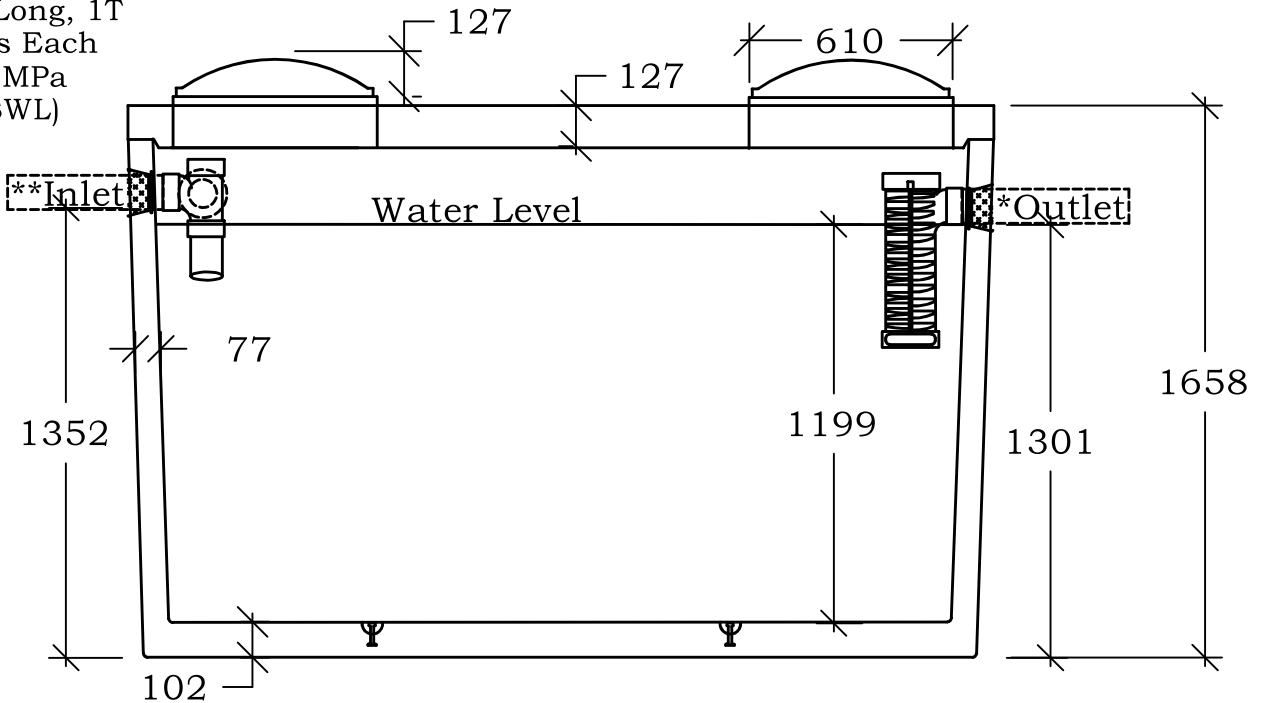
WEIGHT: Bottom-2900 kgs, Top-1100 kgs

ADDITIONAL PARTS:TB-6 FILTER, RISER, COVER, TEE HANDLE

TUFF-TITE  
TS-4Rubber  
(1.5" - 4" Pipe)



ALP Lifting Pin  
67mm Long, 1T  
900 kgs Each  
@ 20 MPa  
(4:1 SWL)



## NOTES:

- Tank to be sealed with CONSEAL CS-102 Butyl Sealant.
- \* Effluent filter required at outlet end.
- \*\* Tee required at inlet end.

SEP 3