

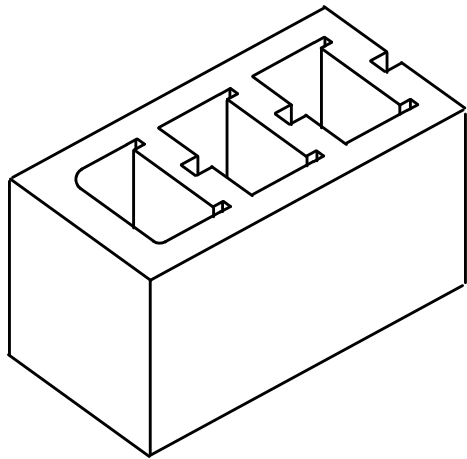
# 200mm Concrete Block

**VJRICE**  
**CONCRETE**  
**LIMITED**

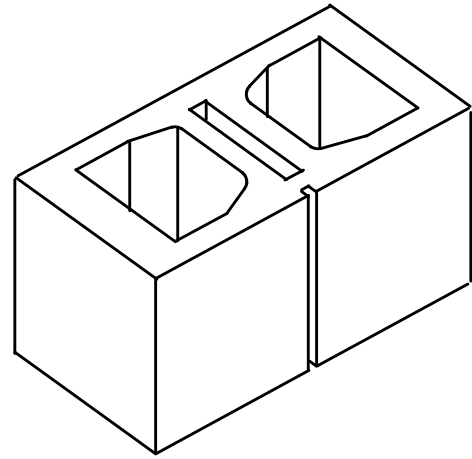
Phone:(902)665-4444  
Fax: (902)665-4017  
P.O Box 399, Bridgetown  
Nova Scotia, B0S 1C0

## 190mm x 190mm x 390mm

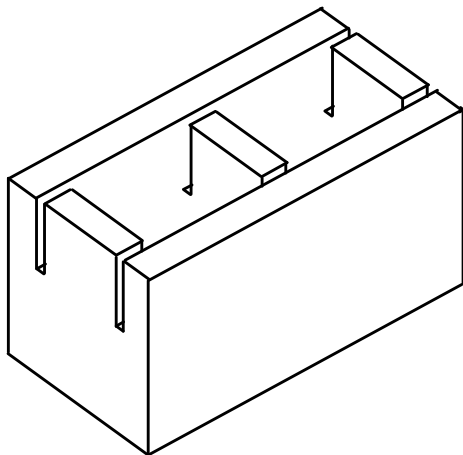
Utility



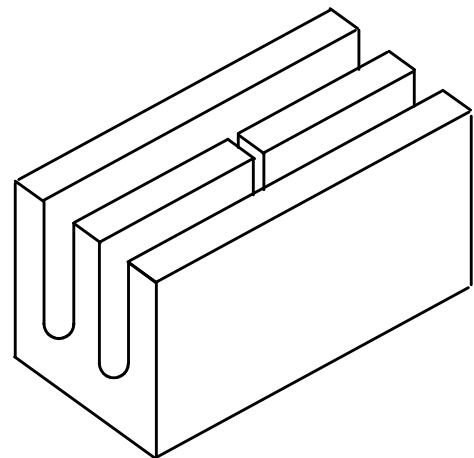
Scored



Knockout Bond Beam



Channel Bond Beam



BLK-3b