

# SEPTIC TANK

## CATALOG# SEP4800/TT

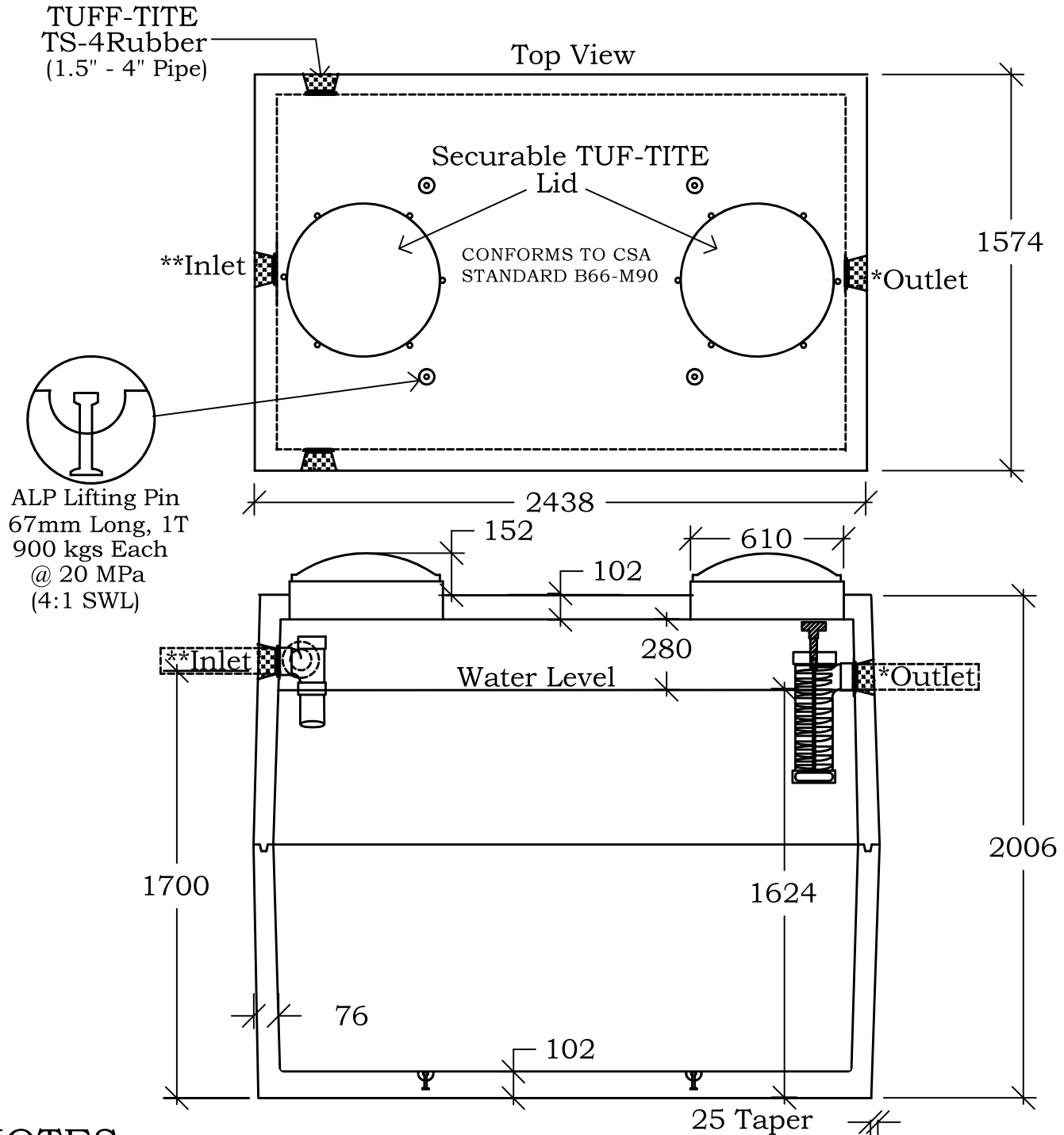
**VJRICE**  
**CONCRETE**  
**LIMITED**

Phone:(902)665-4444  
 Fax: (902)665-4017  
 P.O Box 399, Bridgetown  
 Nova Scotia, B0S 1C0  
 www.riceconcrete.ca

CAPACITY: 4800L [1056 GAL]

WEIGHT: 3928 kgs

ADDITIONAL PARTS:TB-6 FILTER, RISER, COVER, TEE HANDLE



### NOTES:

- Tank to be sealed with CONSEAL CS-102 Butyl Sealant.
- \* Effluent filter required at outlet end.
- \*\* Tee required at inlet end.

SEP 4