

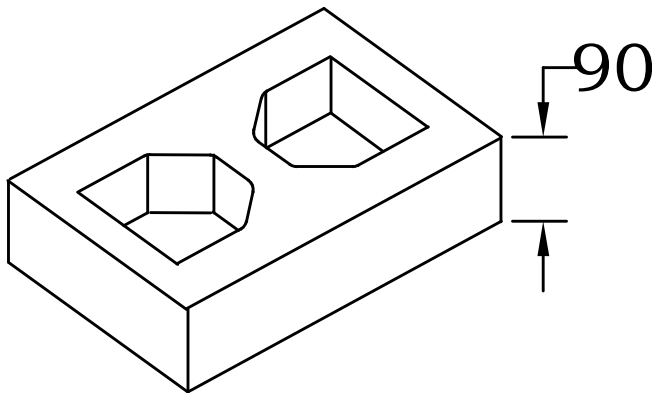
# 250mm Concrete Block

**VJRICE**  
**CONCRETE**  
**LIMITED**

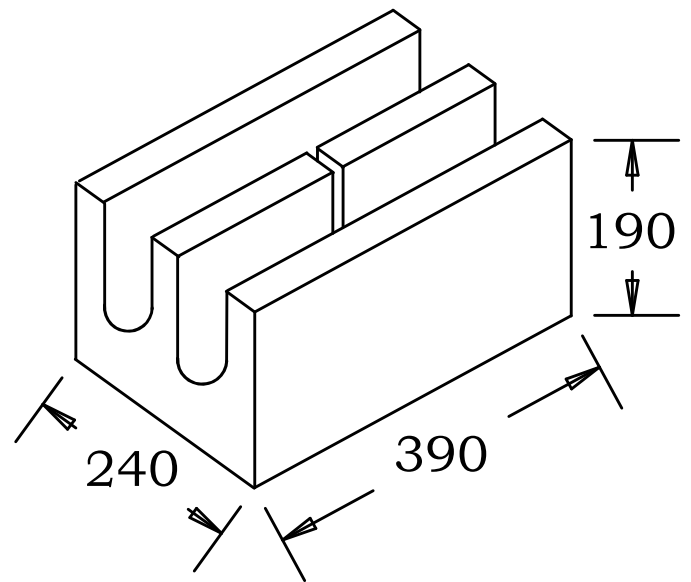
Phone: (902)665-4444  
Fax: (902)665-4017  
P.O. Box 399, Bridgetown  
Nova Scotia, B0S 1C0

## 240mm x 190mm x 390mm

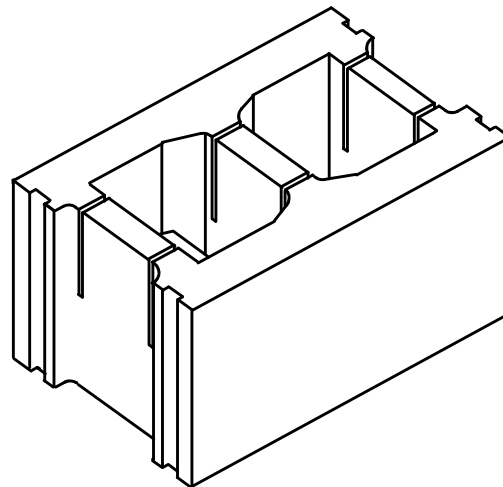
Half Height



Channel Bond Beam



Knockout Bond Beam



BLK-4a