

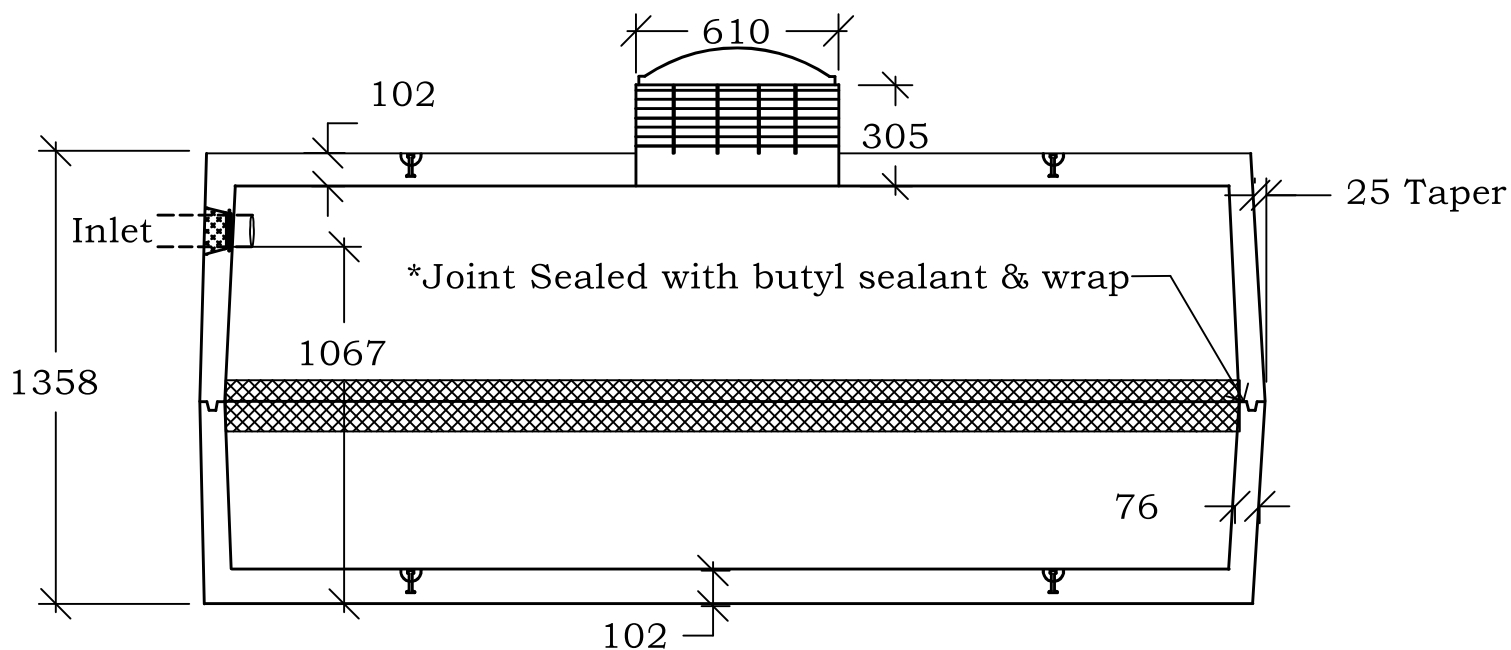
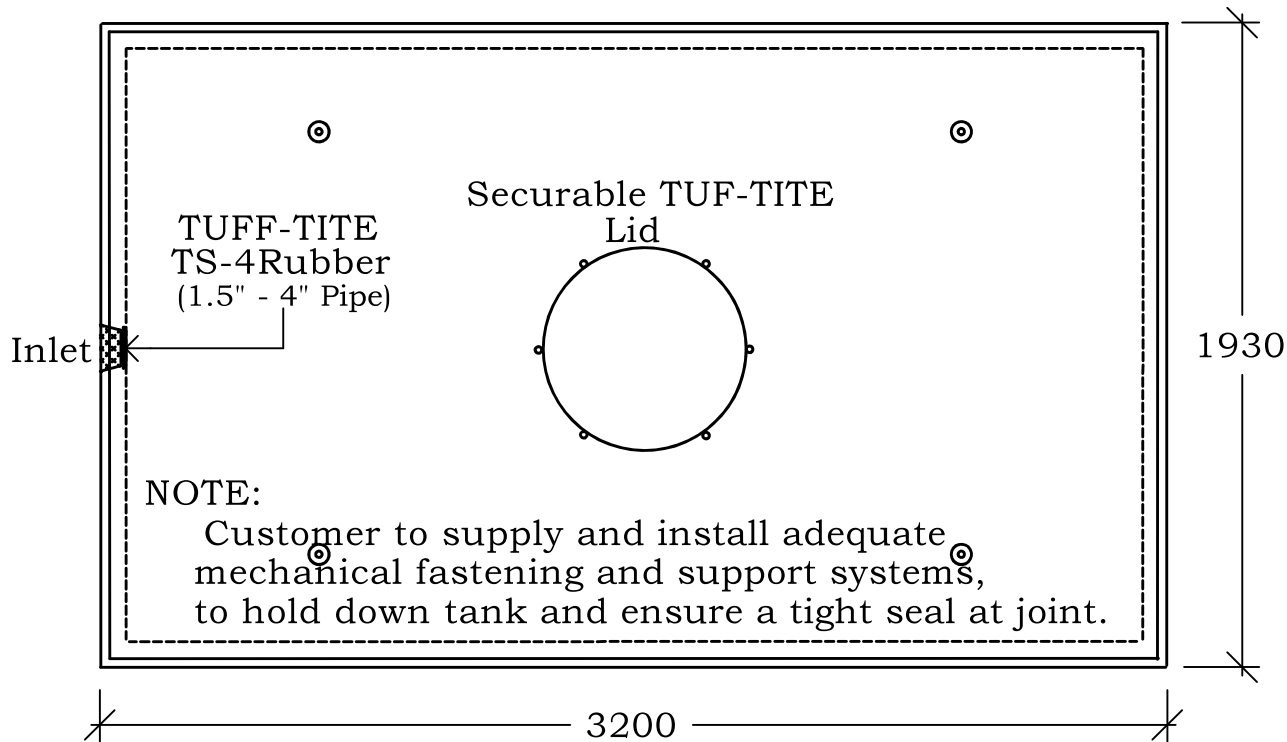
HOLDING TANK

CATALOG#SEP4800HLP/TT



Phone:(902)665-4444
 Fax: (902)665-4017
 P.O Box 399, Bridgetown
 Nova Scotia, B0S 1C0
 www.riceconcrete.ca

CAPACITY: 4800L [1056 GAL] LOW PROFILE
 WEIGHT: Top-5590 lbs, Bottom-5110 lbs
 ADDITIONAL PARTS: RISER (152MM OR 305MM)



* BUTYL ROPE SEALANT AT JOINT, WRAP ON INSIDE OF TANK