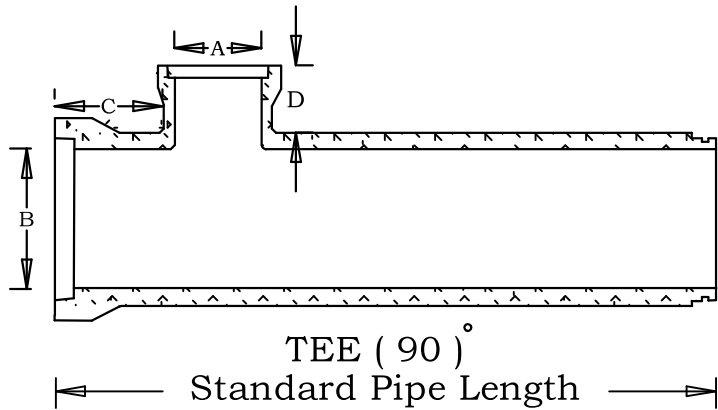


# CONCRETE PIPE FITTINGS

**VJRICE**  
**CONCRETE**  
**LIMITED**

Phone:(902)665-4444  
Fax: (902)665-4017  
P.O Box 399, Bridgetown  
Nova Scotia, B0S 1C0  
www.riceconcrete.ca

## Junctions - Tees ( 90° ) And Wyes ( 45° )

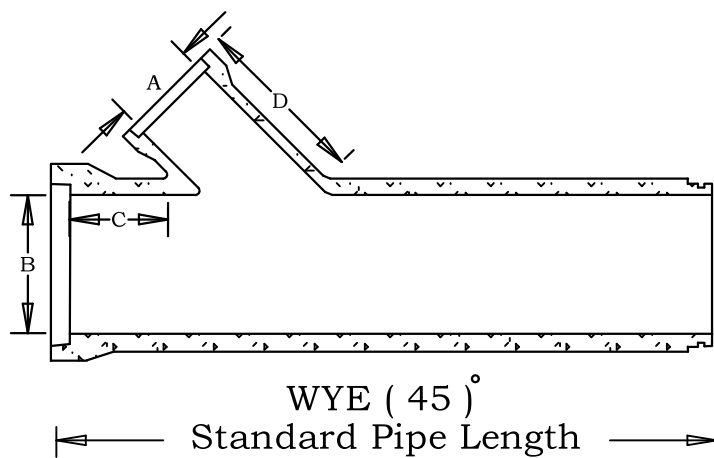


### TEE ( 90° )

Diameter of Branch mm	Diameter of Main mm	mm	mm
A	B	C	D
300 (12")	300 And Greater	350	250
375 (15")	375 And Greater	350	250
450 (18")	450 And Greater	350	250
525 (21")	525 And Greater	350	300
600 (24")	600 And Greater	350	300
750 (30")	750 And Greater	350	300

Dimensions C and D Are Plus Or Minus 100mm.

Special Angle Bends Or Bends Having  
Dimensions Other Than Those Shown Can  
Be Manufactured Upon Request.



### WYE ( 45° )

Diameter of Branch mm	Diameter of Main mm	mm	mm
A	B	C	D
300 (12")	300 And Greater	350	660
375 (15")	375 And Greater	350	750
450 (18")	450 And Greater	350	840
525 (21")	525 And Greater	350	940
600 (24")	600 And Greater	350	1020
750 (30")	750 And Greater	350	1100 +

NOMINAL SIZE (SOFT METRIC CONVERSION)

RC-5