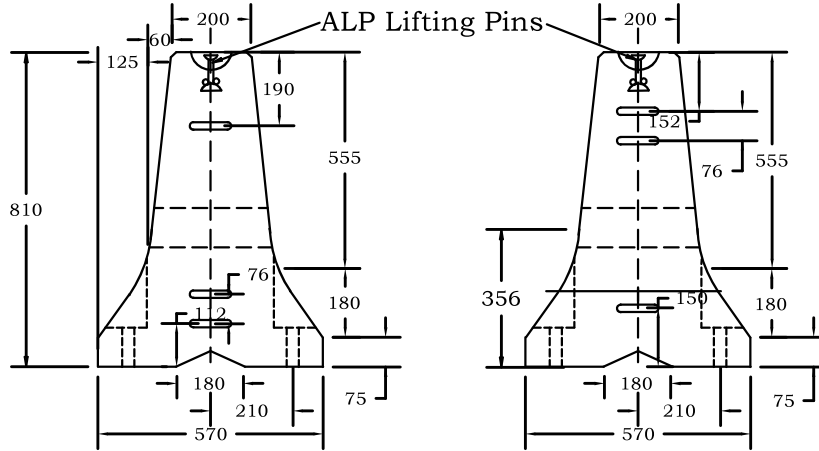


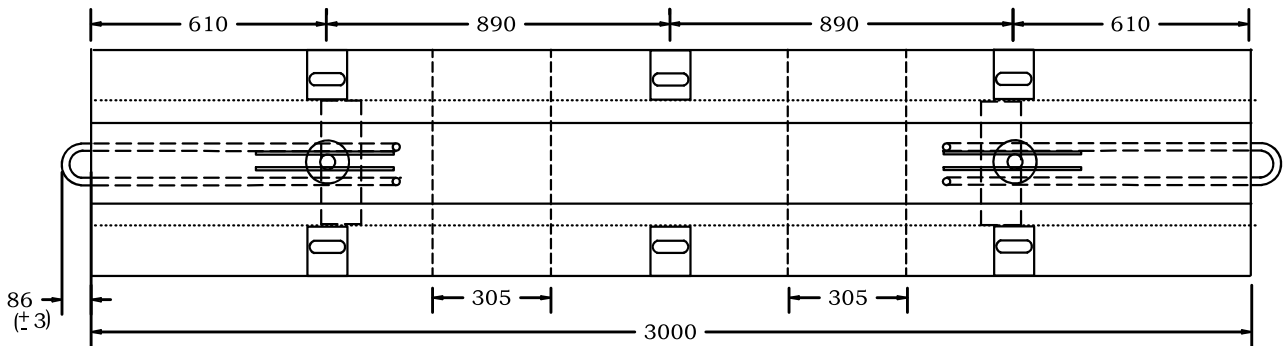
3000mm (10')
'F' Shape Barrier
NCHRP 350 Test Level 3



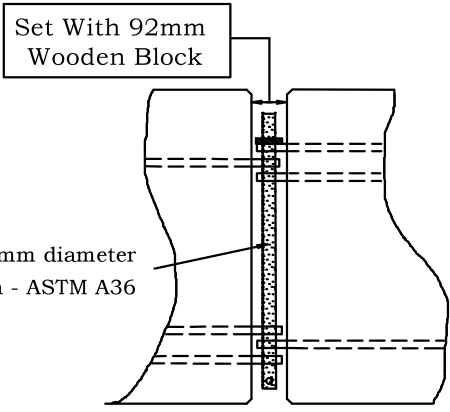
Phone: (902)665-4444
Fax: (902)665-4017
P.O. Box 399, Bridgetown
Nova Scotia, B0S 1C0



END VIEW



PLAN VIEW



Details Of Barrier Connection

NOTES:

- Concrete strength shall be 40MPa @ 28 days.
- At no time shall the barriers be lifted, moved, etc. by the use of the loop bars at the ends.
- NCHRP 350 Test Level 3
- Approx. Weight-1800 kgs

