

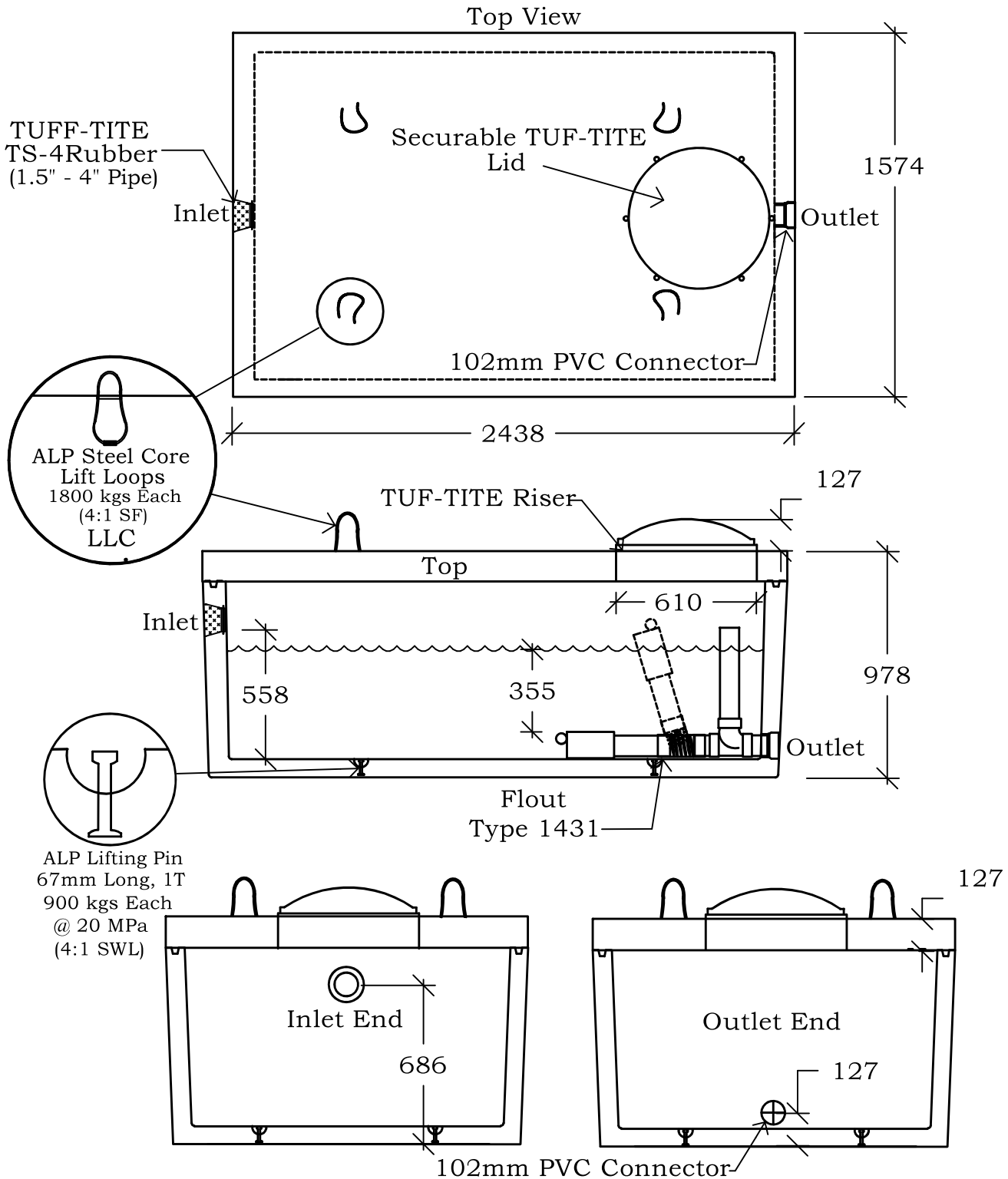
FLOUT CHAMBER

CATALOG# SEP1136FLT

VJ RICE
CONCRETE
LIMITED

Phone:(902)665-4444
 Fax: (902)665-4017
 P.O Box 399, Bridgetown
 Nova Scotia, B0S 1C0

DOSAGE: 1136L [250 GAL]
 WEIGHT: Bottom-1980 kgs, Top-1150 kgs
 ADDITIONAL PARTS: TUF-TITE RISER&COVER



Tank to be sealed with CONSEAL CS-102 Butyl Sealant.

SEP-8