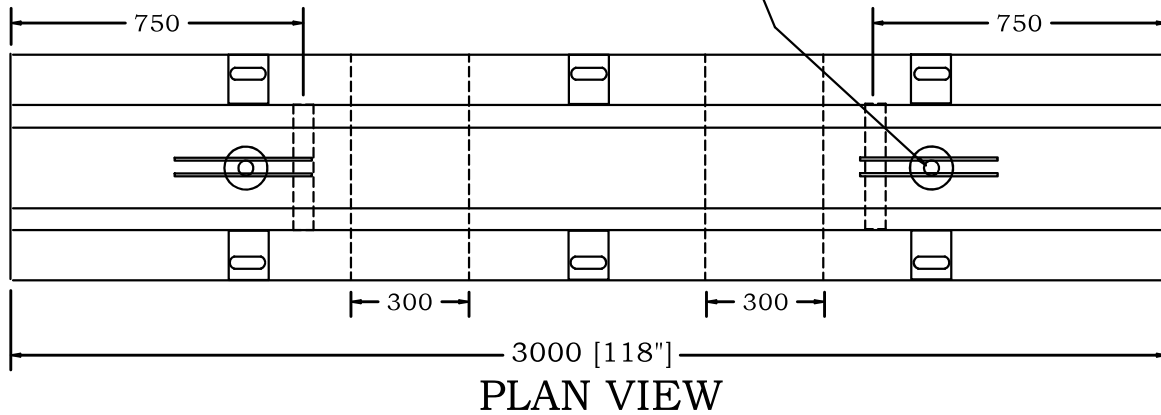
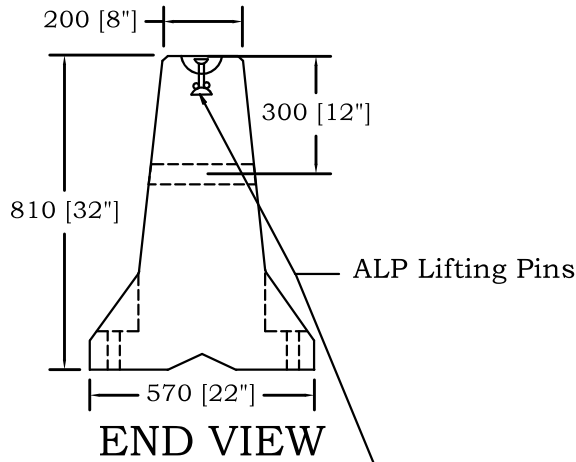


'F' Shape Barrier 3000mm (9' 10")



Phone: (902)665-4444
 Fax: (902)665-4017
 P.O. Box 399, Bridgetown
 Nova Scotia, B0S 1C0

Other lengths available
 by special order.
 1200(4') & 2400(8')



NOTES:

- Concrete minimum strength shall be 28MPa @ 28 days.
- Reinforcing Steel Min 40,000 psi (Grade 300)
- Air Entraining: 5-7%
- Approx. Weight-1700 kgs
- 50mm (2") Lift Holes

