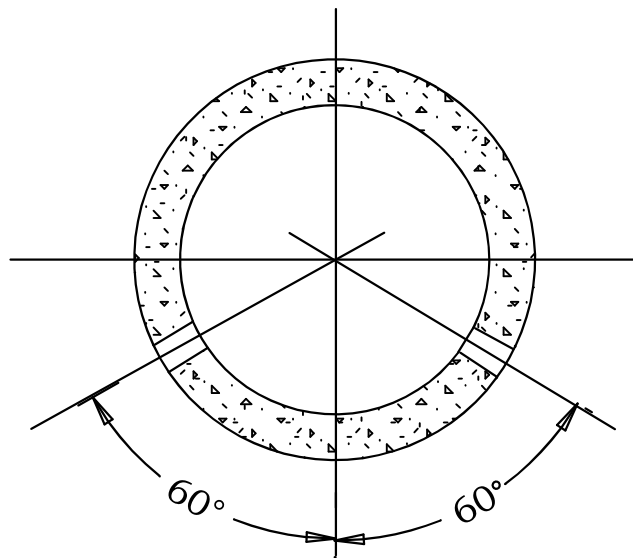
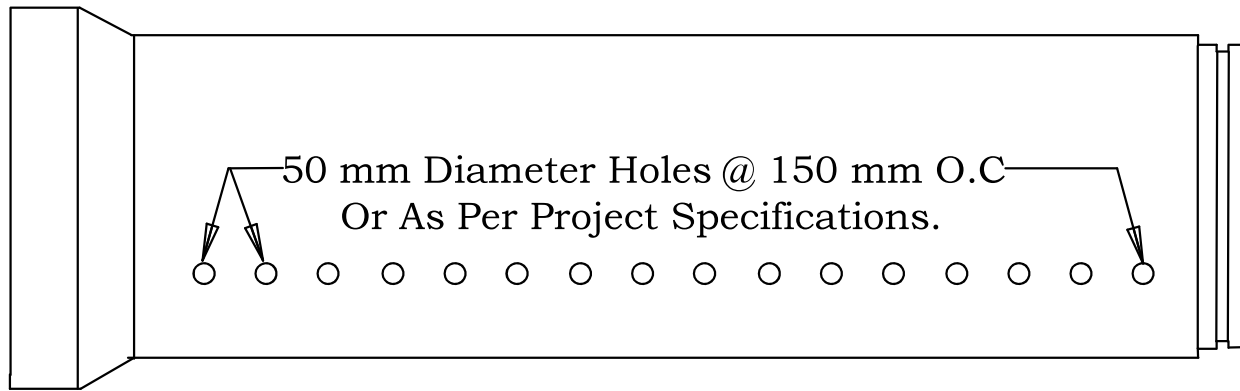


PERFORATED CONCRETE PIPE



Phone:(902)665-4444
Fax: (902)665-4017
P.O Box 399, Bridgetown
Nova Scotia, B0S 1C0
www.riceconcrete.ca



Perforated Concrete Pipe Available In All Circular Sizes.