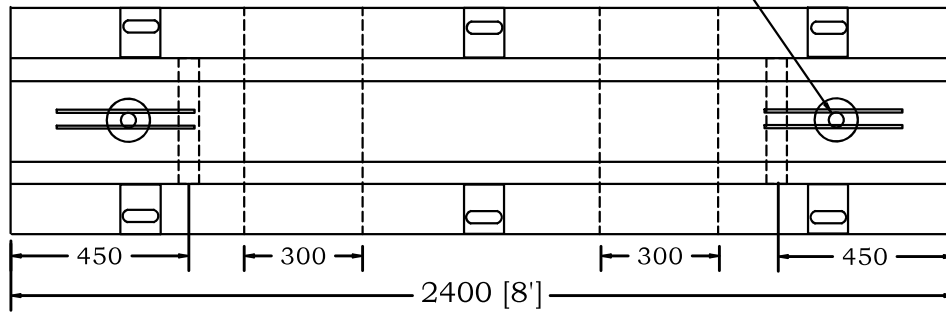
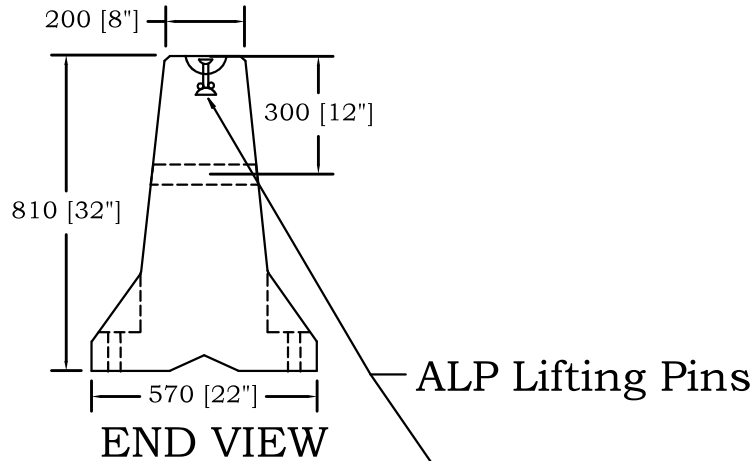


# 'F' Shape Barrier 2400mm (8')

**VJRICE**  
**CONCRETE**  
**LIMITED**

Phone:(902)665-4444  
Fax: (902)665-4017  
P.O Box 399, Bridgetown  
Nova Scotia, B0S 1C0



## NOTES:

- Concrete minimum strength shall be 28MPa @ 28 days.
- Reinforcing Steel Min 40,000 psi (Grade 300)
- Air Entraining: 5-7%
- Approx. Weight-1345 kgs
- 50mm (2") Lift Holes

