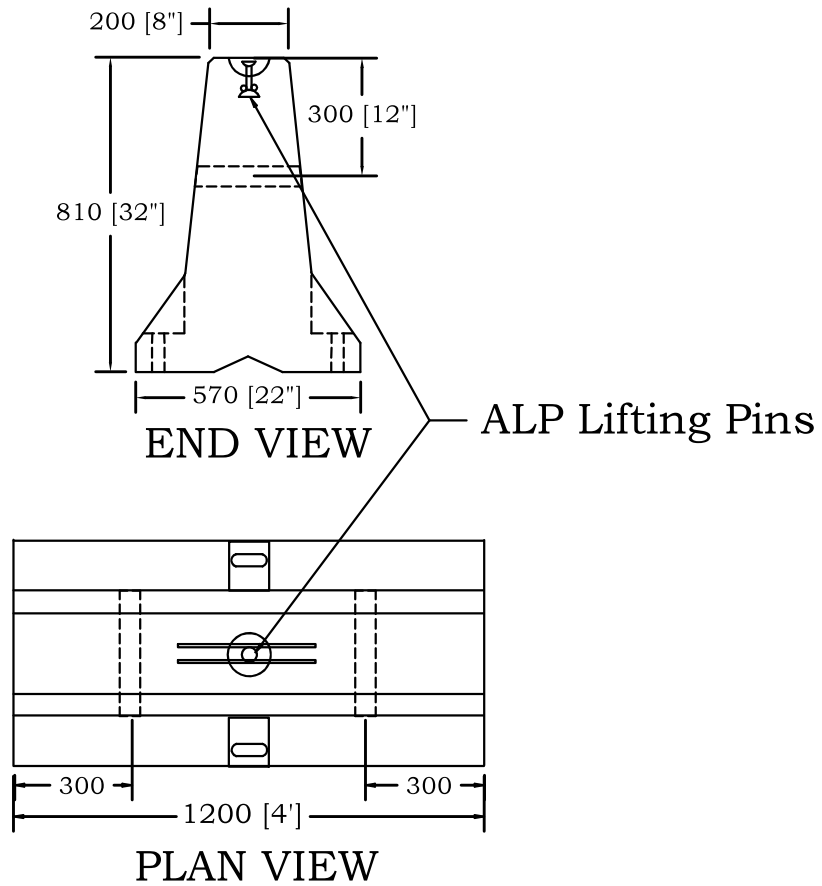


'F' Shape Barrier 1200mm (4')

VJRICE
CONCRETE
LIMITED

Phone:(902)665-4444
Fax: (902)665-4017
P.O Box 399, Bridgetown
Nova Scotia, B0S 1C0



NOTES:

- Concrete minimum strength shall be 28MPa @ 28 days.
- Reinforcing Steel Min 40,000 psi (Grade 300)
- Air Entraining: 5-7%
- Approx. Weight-730 kgs
- 50mm (2") Lift Holes

