

PUMP CHAMBER

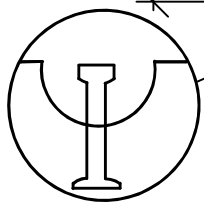
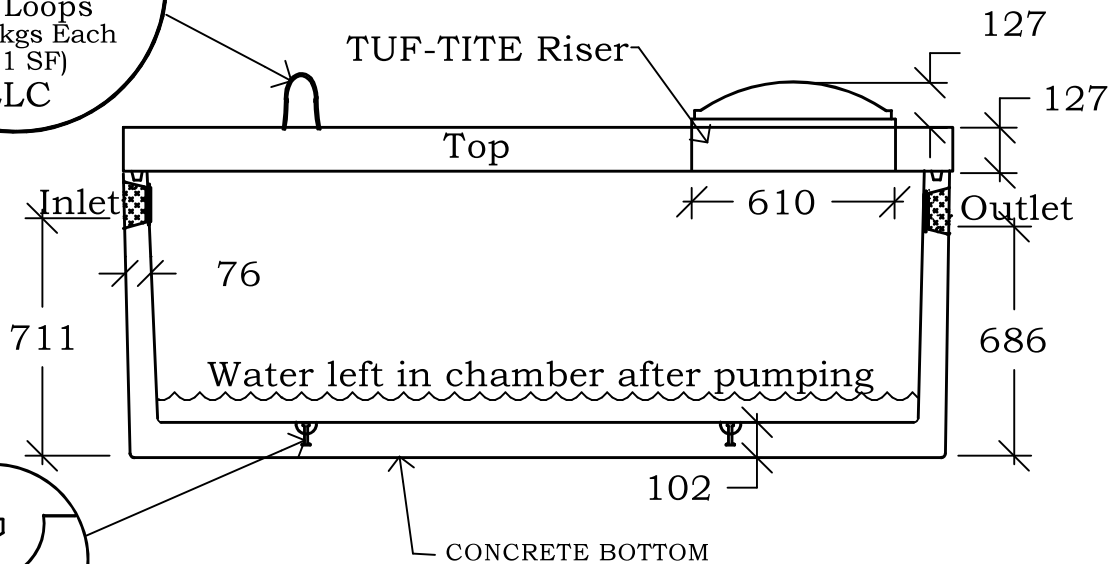
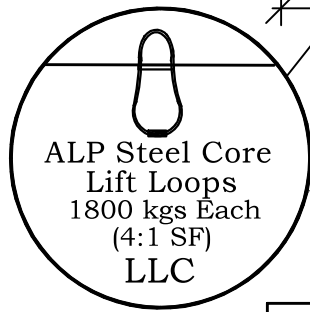
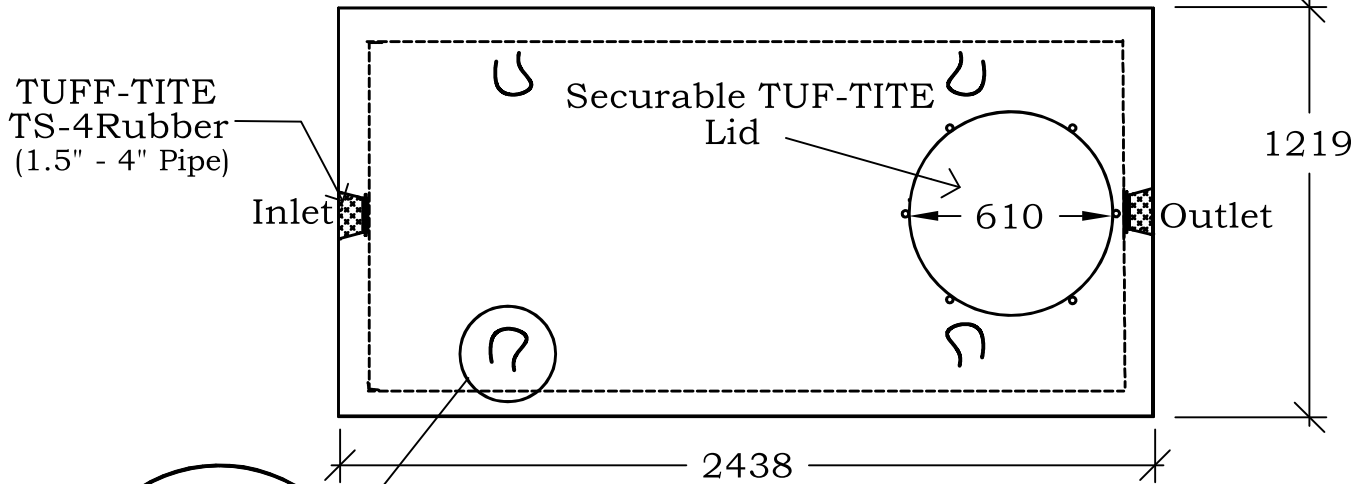
CAT# SEP1100PUMP



Phone:(902)665-4444
Fax: (902)665-4017
P.O Box 399, Bridgetown
Nova Scotia, B0S 1C0

CAPACITY: 1100L [250 GAL]
WEIGHT: Bottom-1700 kgs, Top-900 kgs
ADDITIONAL PARTS: TUF-TITE RISER&COVER

Top View



Tank to be sealed with CONSEAL CS-102 Butyl Sealant.

SEP-9